

PassleaderVCE

PassLeaderVCE

HOME

ALL VENDORS

★ GUARANTEE

? FAQ

TESTIMONIALS

CART (0)

Pass Your Next Certification Exam Fast!

Wonderful Certification Exam Guide and Exam Dumps - PassLeaderVCE

365 days free updates. First attempt guaranteed success.

Select a vendor...

Select an test...

Your email address

Free Download Demo

We're not the only ones **happy** about PassLeaderVCE Practice Material ...

49316+ customers in 100+ countries use PassLeaderVCE Test Engine. Meet our customers.

VOREED

GetCustom

JET ORANGE

iCompany

Paradoxx

iMessenger



<http://www.passleadervce.com/>

Wonderful Certification Exam Guide and Exam Dumps- PassLeaderVCE

Exam : **4A0-C02**

Title : **Nokia SRA Composite Exam**

Vendor : **Nokia**

Version : **DEMO**

NO.1 What are the two primary problems the service provider must consider when providing traditional Layer 3 VPN services using only a single common routing table in the provider core? (Choose two)

- A. Memory exhaustion in the provider core
- B. Unwanted packet forwarding between customer networks
- C. CPU utilization for route processing
- D. Route leaking between the customer networks

Answer: B,D

NO.2 A CE hub and spoke VPRN has two spoke sites; which of the following would be the best option to implement this topology at the hub site PE?

- A. Two VPRNs, two route distinguishers, and three route targets
- B. One VPRN, one route distinguisher, and two route targets
- C. One VPRN, two route distinguishers, and three route targets
- D. Two VPRNs, one route distinguisher, and three route targets

Answer: B

NO.3 Which of the following about eiBGP Load Balancing is FALSE?

- A. The RD of the VPRN on the local PE must be different from the RD of the remote PEs.
- B. Is enabled in the config>router>bgp context
- C. ecmp and multipath must be configured within the VPRN instance.
- D. Allows a PE router to load share traffic across routes learned from both direct CE-PE peerings and MP-BGP peerings.

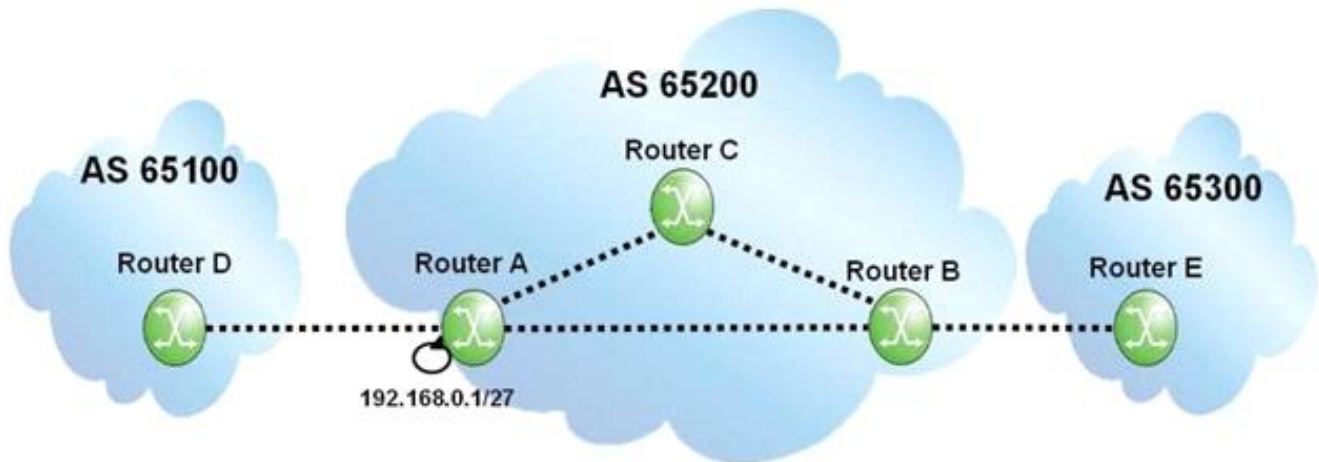
Answer: B

NO.4 Which of the following are possible criteria for classifying packets at the SAP-ingress? (Choose three)

- A. The packet's Ethertype.
- B. The dot1p bits in the frame header.
- C. The EXP bits in the MPLS header.
- D. The packet's source and destination IP addresses.
- E. The service ID of the service to which the SAP belongs.

Answer: A,B,D

NO.5 Click the exhibit.

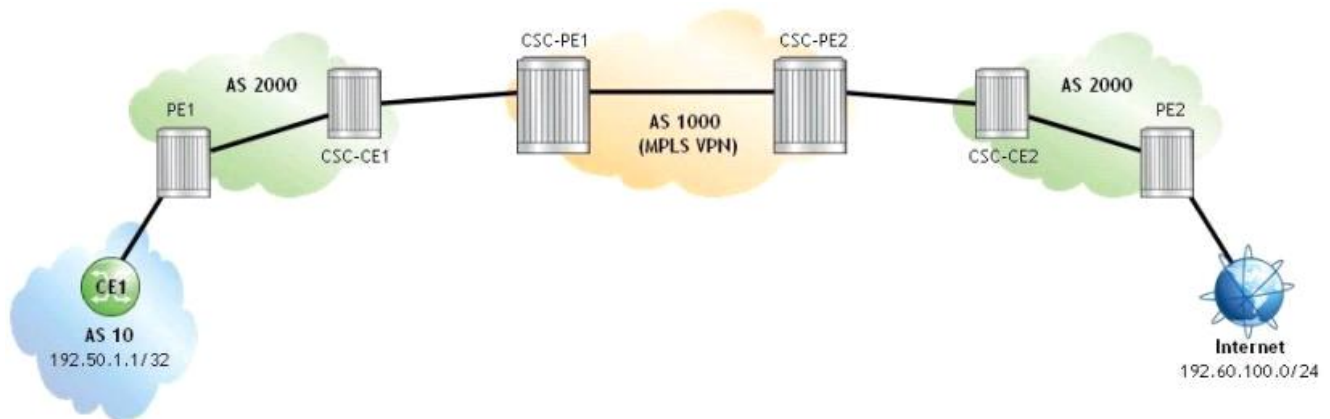


If router A originates a BGP route for prefix 192.168.0.1/27, what will the update contain when it reaches router B?

- A. Null AS Path, Next Hop of router A, Origin of incomplete.
- B. AS Path of 65200, Next Hop of router A, Origin of IGP.
- C. Null AS Path, Next Hop of router A, Origin of IGP.
- D. AS Path of 65200, Next Hop of router A, Origin of incomplete.

Answer: C

NO.6 Click the exhibit.



A Carrier Supporting Carrier (CSC) VPRN is configured on an Alcatel-Lucent 7750 SR for a customer carrier who is an Internet Service Provider (ISP). Which of the following configuration steps is NOT required?

- A. Configuring labeled eBGP sessions between CSC-CE and CSC-PE routers.
- B. Advertising the received system addresses of remote PEs using either iBGP or IGP/LDP within each customer carrier site.
- C. Configuring a policy on each CSC-CE to advertise local PE addresses to the network provider.
- D. Configuring labeled iBGP sessions between PEs residing in different customer carrier sites.

Answer: D

NO.7 What scaling factors should a network engineer be aware of when designing VPLS networks? (Choose 3)

- A. OAM tools.
- B. Network touches.

- C. Data plane scaling.
- D. Control plane scaling.
- E. Route table reduction.

Answer: B,C,D

NO.8 MAC explosion is best described as a large amount of MAC addresses being withdrawn and relearned?

- A. TRUE
- B. FALSE

Answer: A

NO.9 Which of the following regarding "well-known discretionary" BGP attributes is TRUE?

- A. They must be recognized by all peers and optionally included in BGP updates.
- B. They must be recognized by all peers and included in all BGP updates.
- C. The receiving router sends a notification if a well-known discretionary attribute is not present in an update.
- D. They are discarded if not recognized by the recipient.

Answer: A

NO.10 Which of the following AS Paths will match the regular expression "65100."?

- A. "65100"
- B. "65200 65100"
- C. "65100 65250 65200"
- D. "65100 65200"

Answer: D

NO.11 The following question relates to this command syntax: "config>service# vpls 9000 customer 6 create". Which of the following statements are correct? (Choose 2)

- A. The vc-id will be 6 for the service by default.
- B. The egress vc-label will be 9000.
- C. This value 9000 should be unique across the network as a best practice.
- D. The customer-id in this command is 9000.
- E. The service-id in this command is 9000.

Answer: C,E

NO.12 A queue is configured with the following attributes:

MBS = 10KB

CBS = 5KB

High-Priority-Only = 20%

Assume that there is no CBS overbooking and that the slope-policy is disabled. If the current queue depth is 3KB, what will happen to an out-of-profile packet arriving at an egress queue?

- A. It will be queued in the reserved portion of the buffer pool and be in-profile.
- B. It will be queued in the shared portion of the buffer pool but may be dropped if the buffer

utilization exceeds the start-average value of the low slope.

C. It will be queued in the shared portion of the buffer pool but contend for shared buffer space with packets from other queues.

D. It will be queued in the reserved portion of the buffer pool if there are no in-profile packets already in the queue.

E. It will be queued in the reserved portion of the buffer pool and remain out-of-profile.

Answer: E

NO.13 When configuring BGP as the PE-CE protocol on an Alcatel-Lucent 7750 SR, the configuration on the CE is done under the _____ context and the PE configuration is under the _____ context.

```
A:CE-1# show router bgp routes
=====
BGP Router ID : 10.10.10.76      AS : 65200      Local AS : 65200
=====
Legend -
Status codes : u - used, s - suppressed, h - history, d - decayed, * - valid
Origin codes : i - IGP, e - EGP, ? - incomplete, > - best
=====
BGP Routes
=====
```

Flag	Network VPN Label	Nexthop As-Path	LocalPref	MED
u*>?	10.1.2.0/24	10.16.1.1 65100 65100	none	none
u*>?	10.10.10.78/32	10.16.1.1 65100 65100	none	none
u*>i	10.32.1.0/24	10.16.1.1 65100	none	none

A. Router, service

B. Global, router

C. Router, router

D. Service, service

E. Service, router

F. Router, global

Answer: A

NO.14 Click the exhibit.

AS 65540 routers are iBGP fully-meshed. Prefixes advertised by router R2 have a local preference of 200. Router R1 advertises the prefix 192.168.1.0/27 to routers R2 and R3. Assuming that router R3 is configured with "advertise-external", what is the expected output of "show router bgp routes" when executed on router R4?

A. Flag Network

Nexthop As-Path	LocalPref	MED
u*>i 192.168.1.0/27 10.10.10.3 65541	100	None
i 192.168.1.0/27 10.10.10.2 65541	200	None

B. Flag Network

Nexthop As-Path	LocalPref	MED
u*>i 192.168.1.0/27 10.10.10.2 65541	200	None

C. Flag Network

Nexthop As-Path	LocalPref	MED
u*>i 192.168.1.0/27 10.10.10.2 65541	200	None
i 192.168.1.0/27 10.10.10.3 65541	100	None

D. Flag Network

Nexthop As-Path	LocalPref	MED
u*>i 192.168.1.0/27 10.1.2.3 65541	200	None
i 192.168.1.0/27 10.10.10.2 65541	200	None
i 192.168.1.0/27 10.10.10.3 65541	100	None

- A. Option D
- B. Option B
- C. Option C
- D. Option A

Answer: C

NO.15 According to the SAP-ingress QoS policy shown, what needs to be the depth of the CIR bucket of policer 5, as a minimum, for forwarded packets to start being marked as out-of-profile?

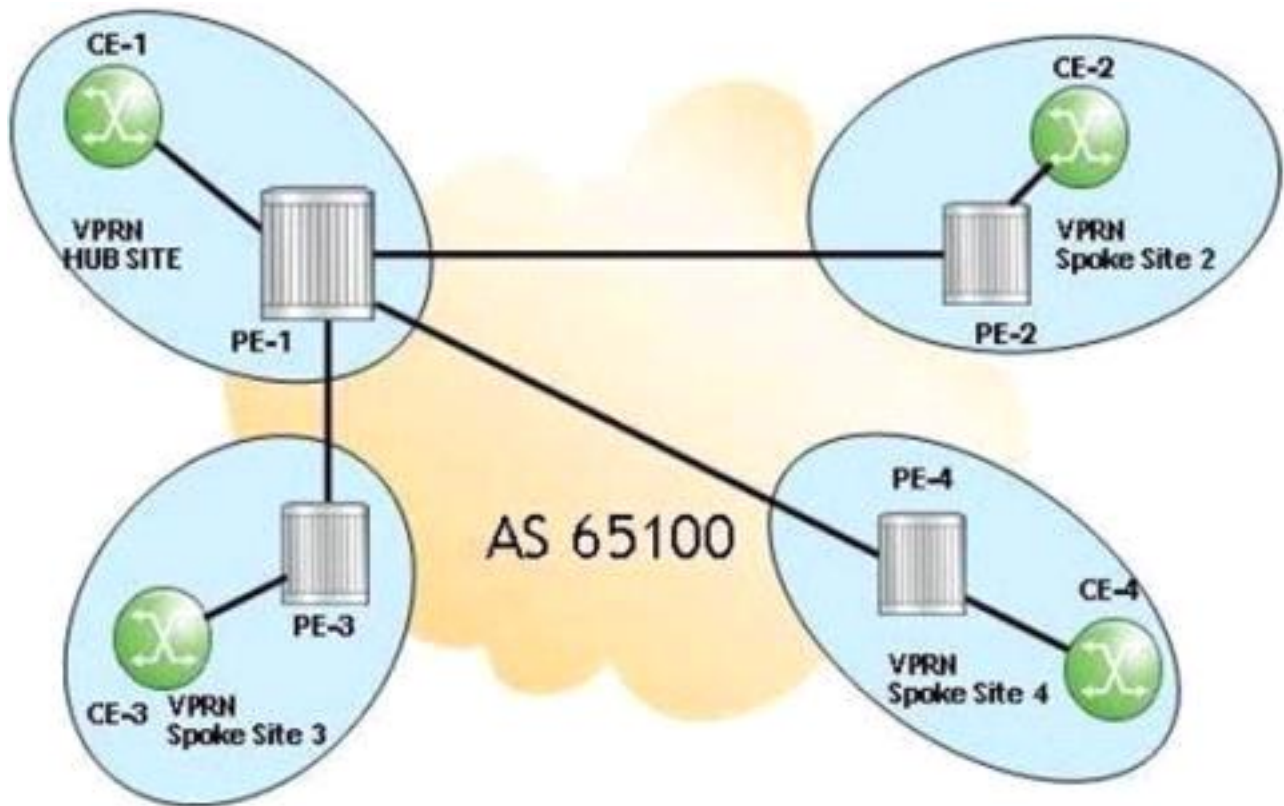
```
*A:R1>config>qos>sap-ingress# info
-----
--- Output omitted ---
policer 5 create
  mbs 20
  cbs 10
  high-prio-only 10
exit
policer 6 create
  mbs 24
  cbs 24
  high-prio-only 90
exit
fc ef create
  policer 6
exit
fc 11 create
  policer 5
exit
fc 12 create
  policer 5
exit
dot1p 1 fc "12"
dot1p 5 fc "ef"
dscp "ef" fc "ef" priority high
default-fc 11
default-priority low
-----
```

- A. 20,000 tokens
- B. 10,000 tokens
- C. 2,000 tokens

D. 1,000 tokens

Answer: D

NO.16 Click the exhibit.



```
community "Hub_Site" members "target:65100:1"
community "Spoke_Sites" members "target:65100:2"
```

Community lists are configured for the PE hub and spoke VPRN. Which communities should be exported by the VPRN service on PE1?

- A. "Spoke_Sites"
- B. "Hub_Site"
- C. "Spoke.Sites" and "Hub_Site"
- D. No communities should be exported

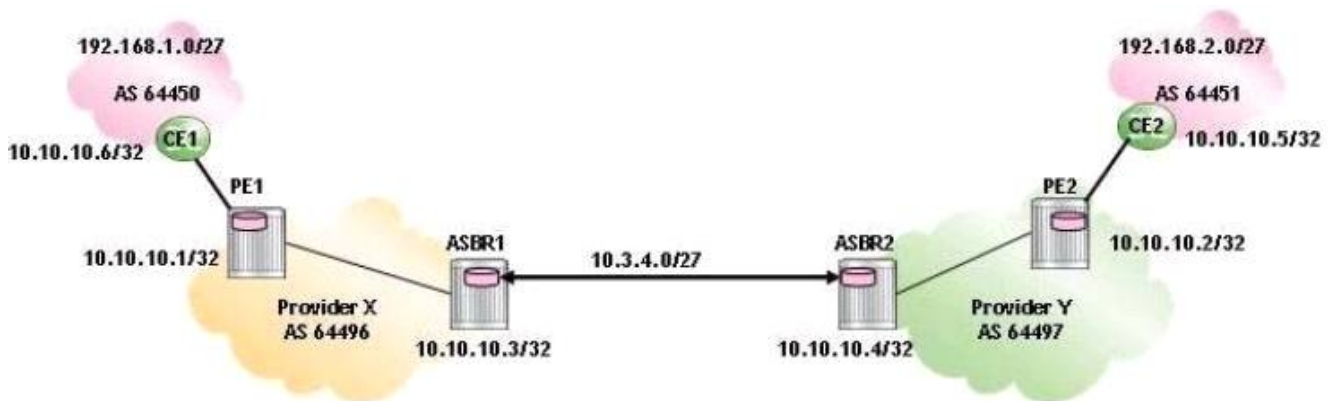
Answer: B

NO.17 A provider core consists of 4 PE and 2 P routers. A fully meshed VPRN service is configured on all 4 PEs, and MPLS LSP-based SDPs are used for the service configuration. How many SDPs must be bound to the VPRN service on each PE?

- A. Five SDPs must be bound to the VPRN service on each PE.
- B. Three SDPs must be bound to the VPRN service on each PE.
- C. Twelve SDPs must be bound to the VPRN service on each PE.
- D. Two SDPs must be bound to the VPRN service on each PE.

Answer: B

NO.18 Click the exhibit.



For the inter-AS model A VPRN shown, which of the following about the route advertisement of 192.168.1.0/27 is FALSE?

- A. PE1 advertises 64496:1:192.168.1.0/27 route update to ASBR1.
- B. ASBR1 advertises 64496:1:192.168.1.0/27 route update to ASBR2.
- C. ASBR2 advertises 64497:1:192.168.1.0/27 route update to PE2.
- D. PE2 advertises 192.168.1.0/27 route update to CE2.

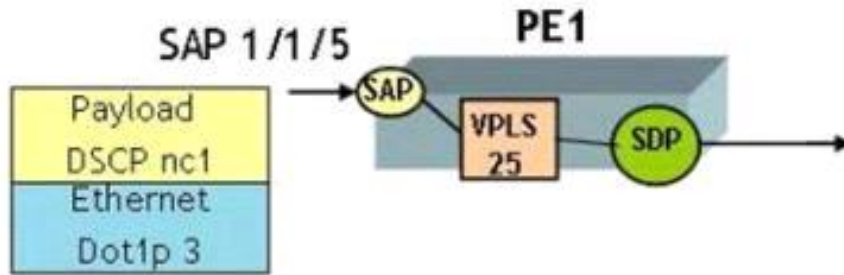
Answer: B

NO.19 What are the advantages of running a physical ring topology with a mesh of mesh-SDPs? (Choose 2)

- A. If the traffic is primarily Unicast, a full mesh of SDPs is a simple and efficient design.
- B. STP is not required to break the loop because of split-horizon rules.
- C. STP can be used to break the loop.
- D. If the traffic is primarily multicast, a full mesh of SDPs is a simple and efficient design.

Answer: A,B

NO.20 Click the exhibit button below.



```

qos sap-ingress 5 create
    dot1p 3 fc "ef"
    dscp nc1 fc "nc"
ip-criteria
    entry 10 create
        match protocol tcp
            dst-port gt 20
        exit
        action fc "l2"
    exit
    entry 20 create
        match protocol tcp
            dst-ip
                120.110.1.1/32
            dst-port eq 23
        exit
        action fc "h1"
    exit
exit
default-fc "h2"
    
```

```

vpls 25 customer 1 create
    stp
        shutdown
    exit
    sap 1/1/5 create
        ingress
            qos 5
        exit
    exit
    no shutdown
exit
    
```

Based on the configuration shown below, name the forwarding class to be associated with a TCP packet encapsulated inside an Ethernet frame that arrives on SAP 1/1/5 with the following characteristics:

- Destination IP address = 120.110.1.1
- TCP port number = 23
- DSCP value = nc1
- Dot1pvalue = 3

- A. L2
- B. BE
- C. EF

- D. H1
- E. NC
- F. H2

Answer: A

NO.21 Which of the following should be performed if a service provider does not want packets to make use of the shared buffer space when queued?

- A. Set the MBS to 0.
- B. Set the high-priority-only to 0.
- C. Set the CBS to 0.
- D. Set the high-priority-only equal to the MBS.
- E. Set the MBS equal to the CBS.

Answer: E

NO.22 In a VPRN, how does the service provider ensure that customer addresses are unique when multiple customers use the same address space?

- A. The provider will use NAT to ensure that addresses are unique between customers
- B. The Route Distinguisher ensures that addresses are unique between customers.
- C. The provider will advise the customers to change their addresses
- D. The Route Target ensures that addresses are unique between customers
- E. It is the customer responsibility to ensure their address space is unique

Answer: B

NO.23 An SDP has been configured for a VPRN service using an existing MPLS LSP and the configuration shown below. Which of the statements below is true about the configuration on an Alcatel-Lucent 7750 SR?

- A. The configuration is incorrect as Line 8 should be poke-sdp 42 mpls create
- B. The configuration is incorrect as VPRN service does not support spoke-sdp configuration using MPLS LSPs
- C. The configuration is complete and correct
- D. The configuration is incomplete as the ignaling off command is missing
- E. The configuration is incomplete as the uto-bind command is missing

Answer: D

NO.24 How are local CE routes associated with the appropriate VRF at the PE?

- A. Based on the Service Identifier.
- B. Based on the interface on which they are received.
- C. Based on the Route Distinguisher.
- D. Based on the Route Target.

Answer: B

NO.25 Which of the following rate-limiting approaches are used on the Alcatel-Lucent 7750 SR? (Choose two)

- A. Soft shaping at network ingress only.
- B. Shapeless policing at SAP-ingress and egress.
- C. Shapeless policing at SAP-ingress only.
- D. Biased round robin queuing at ingress only.
- E. Soft shaping at all network interfaces.

Answer: A,E

NO.26 Which of the following OAM tools can be used as a VPLS topology discovery mechanism (Choose 2)?

- A. oamsvc-ping
- B. oam mac-trace
- C. oam mac-ping
- D. oam mac-populate

Answer: B,C

NO.27 Which of the following regarding the atomic aggregate attribute is TRUE?

- A. The atomic aggregate flag is always set if the aggregator attribute is set.
- B. The atomic aggregate flag is always set if the AS Path information is lost due to aggregation.
- C. It is an optional transitive attribute.
- D. It is an optional non-transitive attribute.

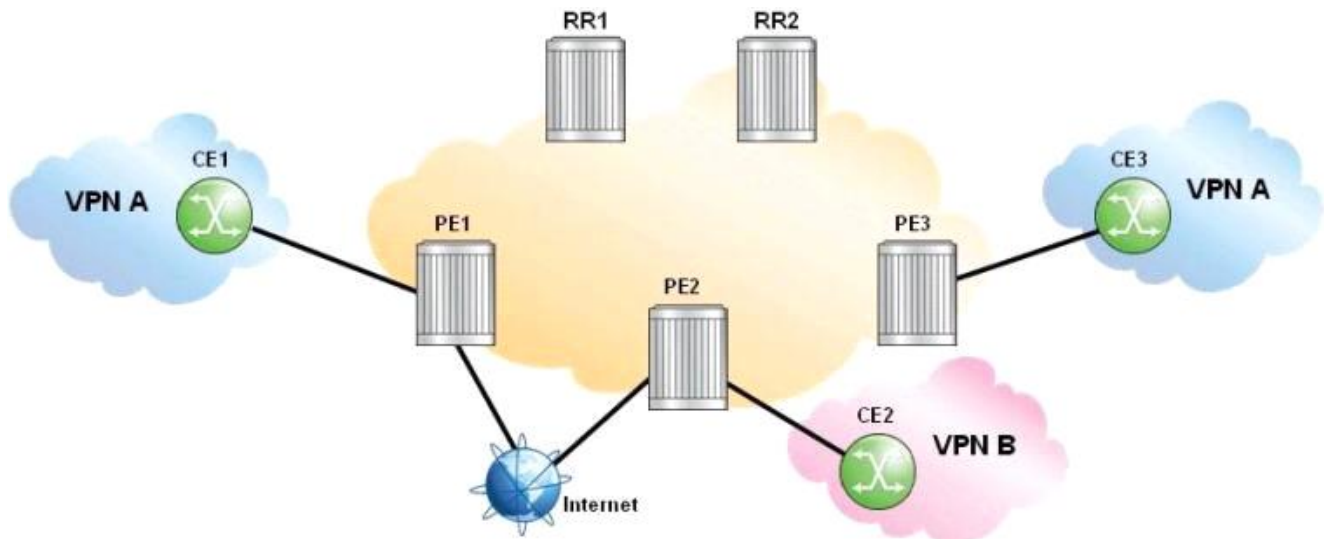
Answer: B

NO.28 In the context of hierarchical scheduling, a scheduler is configured with a CIR weight of 0. Which of the following statements is TRUE?

- A. The scheduler will be allocated its "within CIR" bandwidth after all other children at the same level have received their "within CIR" bandwidth.
- B. The scheduler will be allocated its "within CIR" bandwidth before all other children at the same level have received their "within CIR" bandwidth.
- C. The scheduler will be allocated its "within CIR" bandwidth after all other children at all levels have received their "within CIR" bandwidth.
- D. The scheduler will not be allocated its "within CIR" bandwidth.

Answer: D

NO.29 Click the exhibit.



All sites in the displayed network require Internet access. Route reflector 1(RR1) is used for Internet routes only and route reflector 2(RR2) is used for VPN routes only. Which of the following is FALSE?

- A. BGP sessions between RR2 and PE routers support only the VPN-IPv4 address family.
- B. RR2 establishes BGP sessions with PE1, PE2 and PE3.
- C. BGP sessions between RR1 and PE routers support only the IPv4 address family.
- D. RR1 establishes BGP sessions only with PE1 and PE2.

Answer: D

NO.30 An Alcatel-Lucent 7750 SR is configured with a policy to export directly-connected networks to BGP. Which of the following commands verifies that the export was successful?

- A. show router bgp routes <prefix> hunt
- B. show router bgp neighbor <ip-address> received-routes
- C. show router route-table
- D. show router bgp routes

Answer: D