

PassleaderVCE

PassLeaderVCE

HOME

ALL VENDORS

★ GUARANTEE

? FAQ

TESTIMONIALS

CART (0)

Pass Your Next Certification Exam Fast!

Wonderful Certification Exam Guide and Exam Dumps - PassLeaderVCE

365 days free updates. First attempt guaranteed success.

Select a vendor...

Select an test...

Your email address

Free Download Demo

We're not the only ones **happy** about PassLeaderVCE Practice Material ...

49316+ customers in 100+ countries use PassLeaderVCE Test Engine. Meet our customers.

VOREED

GetCustom

JET ORANGE

iCompany

Paradoxx

iMessenger



<http://www.passleadervce.com/>

Wonderful Certification Exam Guide and Exam Dumps- PassLeaderVCE

Exam : HP0-P11

Title : HP Integrity Entry-Level Server
Technologies

Vendors : HP

Version : DEMO

1. A new firmware version is available for the rx6600 server. How do you display the current version of your system to determine if an update is required?
- A. Execute the info bcfg command from the EFI shell.
 - B. Execute the id command from the MP command menu.
 - C. Review the System Configuration menu from the EFI Boot Manager menu.
 - D. Review the System Overview from the EFI Boot Manager menu.

Answer: D

2. You need to install virtual machines on an Integrity rx1620 server with a single processor installed. What is the maximum number of virtual machines that you can install on this server?
- A. 5
 - B. 10
 - C. 20
 - D. 25

Answer: C

3. What is the maximum internal storage capacity supported by an Integrity rx4640 equipped with 300GB drives?
- A. 300GB
 - B. 600GB
 - C. 900GB
 - D. 1.2TB

Answer: B

4. Which statement best describes HP Onsite Agent's Reference Set (OARS)?
- A. It is an online tool used to retrieve information regarding HP management agents.
 - B. It is a CD-ROM based tool used to retrieve information regarding HP management agents.
 - C. It is a CD-ROM based tool used to retrieve current service and support information on HP hardware products.
 - D. It is an online tool used to retrieve information regarding current service and support information on HP hardware products.

Answer: C

5. Your customer just bought a new Integrity rx6600 server equipped with PCI-X 2.0 slots. The customer wants to know if this server can use their existing PCI-X 1.0 adapter. How will you answer this question?
- A. Yes, but an extended driver is required.
 - B. Yes, but only if a special repeater is used
 - C. No, PCI-X and PCI-X 2.0 are not compatible

D. Yes, PCI-X 2.0 is backward-compatible with PCI-X 1.0

Answer: D

6. Which HP Integrity Essentials product provides unified virtualization and management of physical and virtual servers?

- A. Capacity Advisor
- B. Virtualization Manager (VMMgr)
- C. global Workload Manager (gWLM)
- D. Virtual Machine Management Pack (VMM)

Answer: B

7. Which resources would you use to determine if a specific host bus adapter is compatible with an Integrity rx3600 server running OpenVMS? (Select two.)

- A. HP Active Answers
- B. HP Server Website
- C. HP Product Bulletin
- D. HP Ordering and Configuration Guide

Answer: CD

8. Your customer's data center has HP Integrity servers running several virtual machines. Which software should you use as a central point of management for these virtual machines?

- A. HP Systems Insight Manager
- B. HP Integrity Essentials Capacity Advisor
- C. HP Integrity Essentials Virtualization Manager
- D. HP Integrity Essentials Global Workload Manager

Answer: C

9. How are the resources of an Integrity system running HP-UX assigned within Process Resource Manager? (Select two.)

- A. based on the file /opt/wlm/bin/wlmpard
- B. based on individual users or user groups
- C. based on the number of CPUs available
- D. based on the CPU priority
- E. based on the application

Answer: BE

10. What is maximum amount of memory supported by an Integrity rx1620 equipped with a zx1 chipset and 2GB DIMMs?

- A. 4

- B. 8
- C. 16
- D. 32

Answer: C

11. Which statements explain the difference between the Itanium 2 9M and the mx2 processors? (Select two.)

- A. Itanium mx2 offers more Level 3 cache.
- B. Itanium 2 9M offers more Level 3 cache.
- C. Itanium mx2 is the upgrade path from Itanium 2 9M.
- D. Itanium mx2 supports two processors on one socket.
- E. Itanium 2 9M supports two processors on one socket.

Answer: BD

12. Identify two features of integrated Lights-Out (iLO) Advanced Pack. (Select two.)

- A. remote firmware update
- B. SSH encryption support for secure access to iLO
- C. graphical console for remote access from any location
- D. command line and scripting interface for configuration and maintenance
- E. iLO group actions for managing multiple system with HP Systems Insight Manager (HP SIM)

Answer: BE

13. Your customer is looking for a Integrity server with a minimum of two PCI-X slots supporting a transfer rate of 2.1GB/s. Which system would you recommend?

- A. rx1620
- B. rx3600
- C. rx2620
- D. rx4640

Answer: B

14. Identify two features of the zx1 chipset. (Select two.)

- A. It uses the zx1 IOA chip to support PCI Express.
- B. It uses the zx1 IOA chip to support PCI and PCI-X.
- C. It decreases the memory latency with the zx1 SME chip.
- D. It increases the memory capacity with the zx1 SME chip.
- E. It provides two frontside buses to connect Itanium CPUs.

Answer: BD

15. A Management Processor must be installed in an Integrity rx1620 server before you can load which

operating system?

- A. Linux
- B. HP-UX
- C. Windows
- D. OpenVMS

Answer: C

16. What is the supported Virtual Server Environment (VSE) solution for Integrity rx2620 servers?

- A. hard partitions
- B. virtual partitions
- C. resource partitions
- D. Integrity Virtual Machine (VM)

Answer: D

17. Which type of internal storage controller is used in an Integrity rx3600 system?

- A. dual channel Ultra320
- B. dual channel Serial ATA (SATA)
- C. six channel Serial Attached SCSI (SAS)
- D. dual channel Serial Attached SCSI (SAS)

Answer: D

18. Where can you find HP Support Matrices for HP I/O adapters that show which systems support the adapter and which firmware and drivers are required?

- A. docs.hp.com
- B. HP Product Bulletins page
- C. HP Storage Works sizing tool
- D. HP Sales Builder for Windows

Answer: A

19. Which chipset is used in an Integrity rx3600 server?

- A. zx2
- B. zx1
- C. sx2000
- D. sx1000

Answer: A

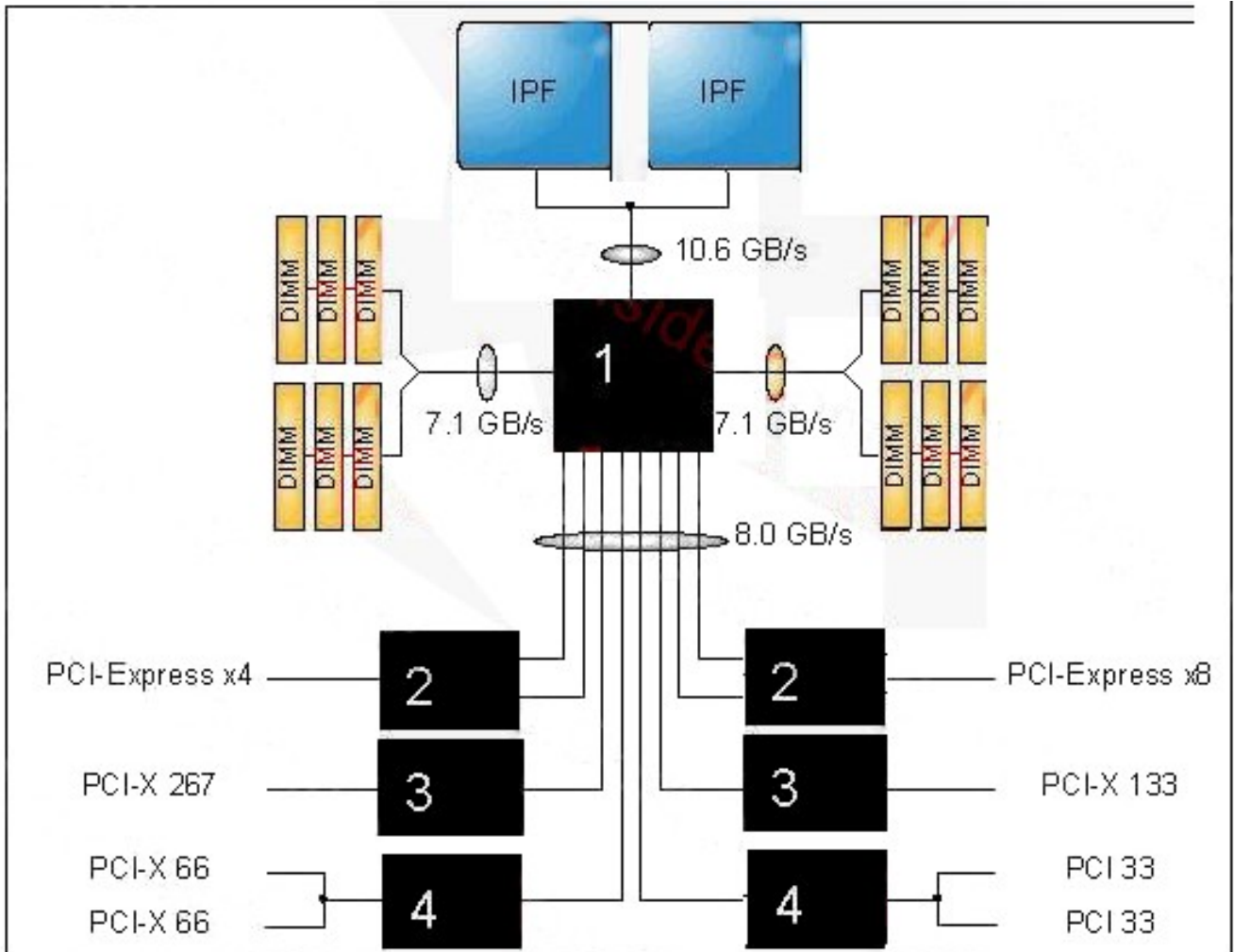
20. What is the maximum internal storage capacity supported by an Integrity rx2620 server equipped with 300GB drives?

- A. 300GB

- B. 600GB
- C. 900GB
- D. 1.2TB

Answer: C

21. Click the Exhibit button.



Which number represents zx2 MIO?

- A. 1
- B. 2
- C. 3
- D. 4

Answer: A

22. Which high availability features are available on an Integrity rx2620 server? (Select two.)

- A. Hot Plug PCI-Express slots
- B. N+2 hot swap cooling
- C. support for RAID memory

- D. dynamic processor resilience
- E. online memory page deallocation

Answer: DE

23. HP Systems Insight Manager can run on which platforms?

- A. Linux, HP-UX, OpenVMS, Windows
- B. HP-UX, Linux, OpenVMS
- C. HP-UX, Linux, Windows
- D. Windows, OpenVMS, Linux

Answer: C

24. Which of the HP Deployment Services provides consulting, design, implementation, and thermal analysis?

- A. Migration Services
- B. Installation Services
- C. Relocation Services
- D. Data Center Services

Answer: D

25. Which HP service provides small and medium businesses with tape backup solutions ?

- A. Recover-All Service
- B. Electronic Vaulting Service
- C. Ultimate Business Protection
- D. Data Protector Express Service

Answer: C

26. Which benefits do HP Care Pack Services provide beyond the HP Standard Warranties? (Select two.)

- A. software support
- B. committed response and repair time
- C. support for default configuration only
- D. support for customer proprietary applications
- E. hardware protection against manufacturer defect

Answer: AB

27. What are the characteristics of HP standard warranty protection? (Select two.)

- A. parts and labor
- B. software support
- C. installation support
- D. committed repair times

E. protection against manufacturer defect

Answer: AE

28. Which of the Premium Hardware/Software Support services covers HP products and selected multi-vendor hardware and software 24x7?

A. Proactive 24

B. Support Plus

C. Critical Service

D. Support Plus 24

Answer: D

29. Which benefit does the HP CarePack Service provide to your customer?

A. prevents downtime

B. committed response time

C. HP warranty service consultation

D. protection against manufacturer defects

Answer: B

30. A customer wants to install several rx2660 and he is worried about the cooling in his server room. What value located on the HP Quickspecs page refers to heat?

A. Watt

B. BTUs/hour

C. Volt

D. Amp

Answer: B